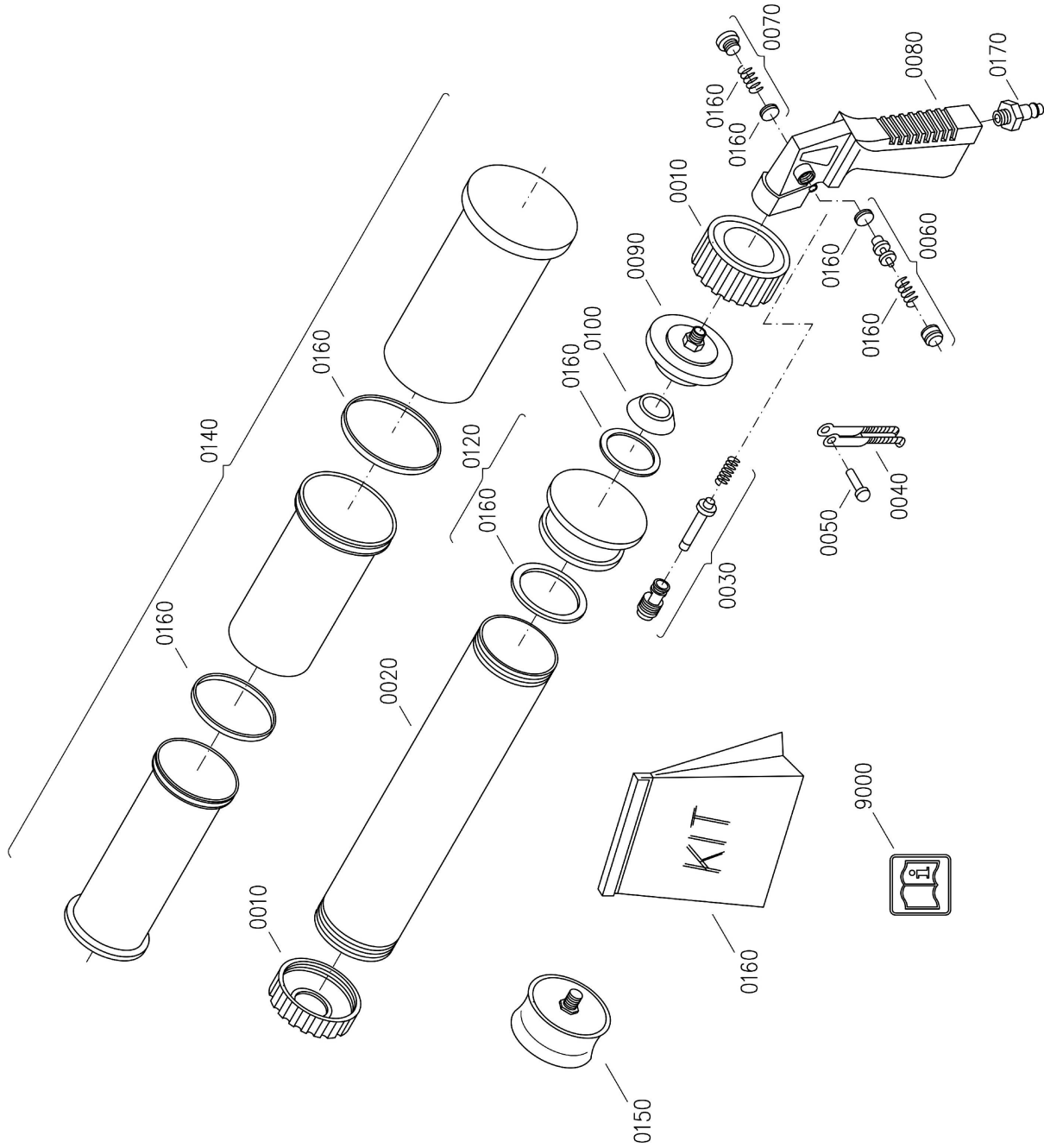


KTP 310 ALU

D040138



Pos. Item	Art.-Nr. Order	St. Qty.	Pos. Item	Art.-Nr. Order	St. Qty.	Pos. Item	Art.-Nr. Order	St. Qty.
0010	G427182	2	0070	G427185	1	0150	G429023	1
0020	G427183	1	0080	G427186	1	0160	G427191	1
0030	G427049	1	0090	G427187	1	0170	E033222	1
0040	G401508	1	0100	G427188	1	9000	G880434	1
0050	G427104	1	0120	G427189	1			
0060	G427184	1	0140	G427190	1			
							T460028	
G883015 / 07.07 risa								